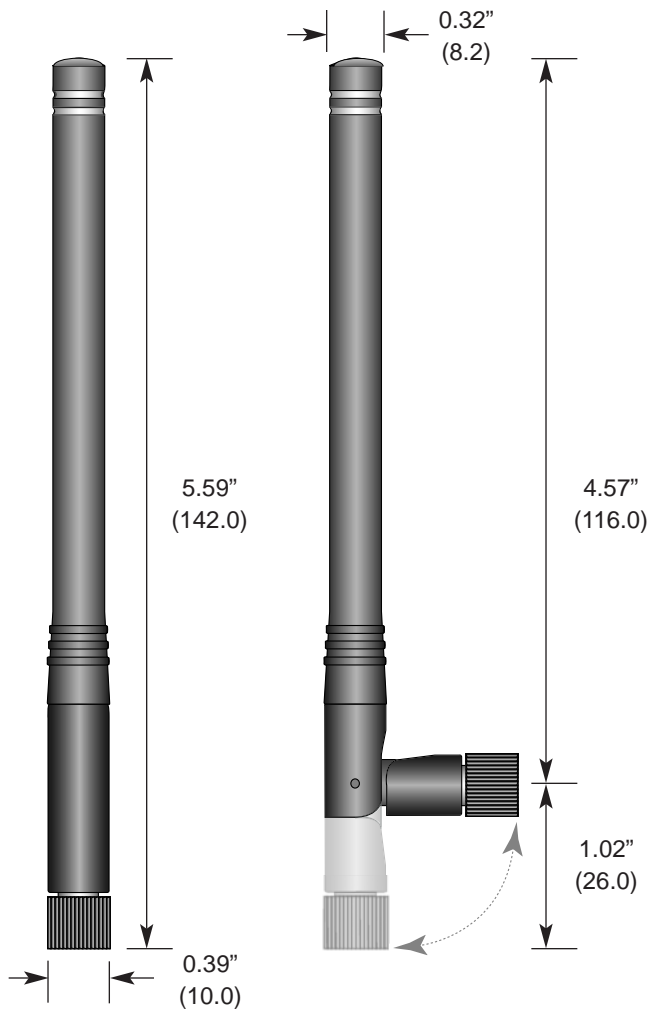


### Product Dimensions



### Description



HWR Series antennas deliver outstanding performance in a rugged and cosmetically attractive package. The articulating base allows the antenna to tilt 90 degrees and rotate 360 degrees. The antennas attach via a standard SMA or Part 15 compliant RP-SMA connector. Custom colors and connectors are available for volume OEM customers.

### Features

- Low cost
  - Tilts and rotates
  - Omni-directional pattern
  - Outstanding VSWR
  - Rugged & damage-resistant
  - Standard SMA or Part 15 compliant RP-SMA connector
  - Custom colors and terminations for volume OEMs
  - Use with plastic\* or metal enclosures
- \* Requires proximity ground plane

### Electrical Specifications

- Center Freq. 315MHz
- Bandwidth 20MHz
- Wavelength 1/4-wave
- VSWR <2.0 typ. at center
- Impedance 50 ohms
- Connector RP-SMA or SMA

Electrical specifications and plots measured on 4.00" x 4.00" reference ground plane

### Ordering Information

- ANT-315-CW-HWR-RPS (with RP-SMA connector)
- ANT-315-CW-HWR-SMA (with SMA connector)

### Polar Plot & Gain Information

